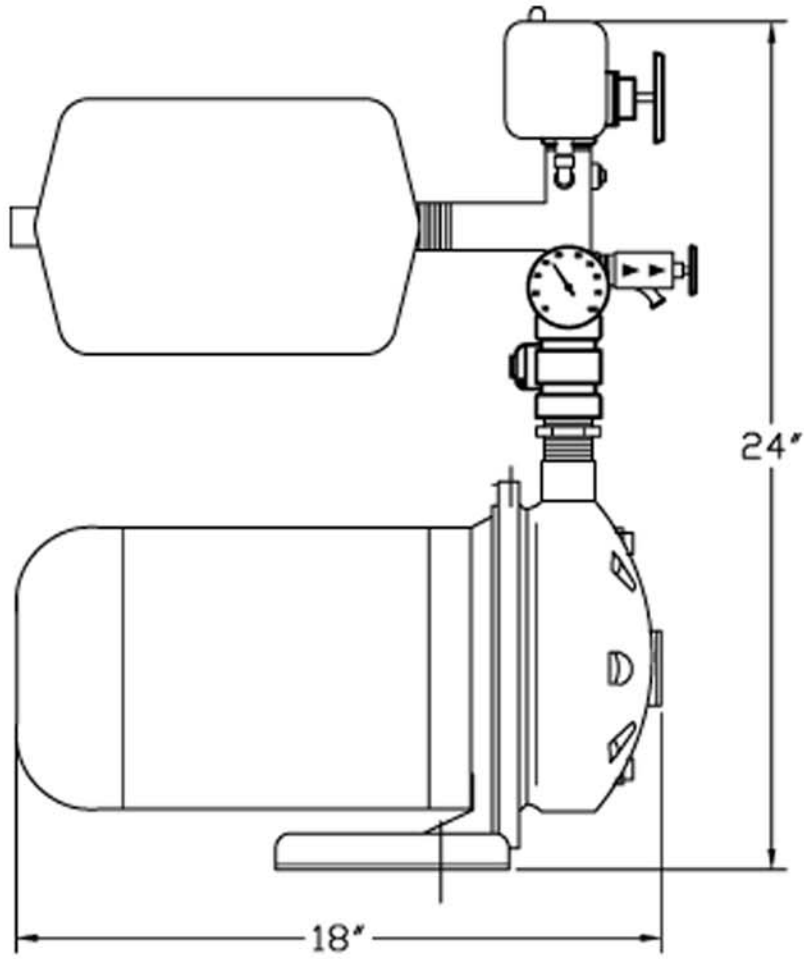
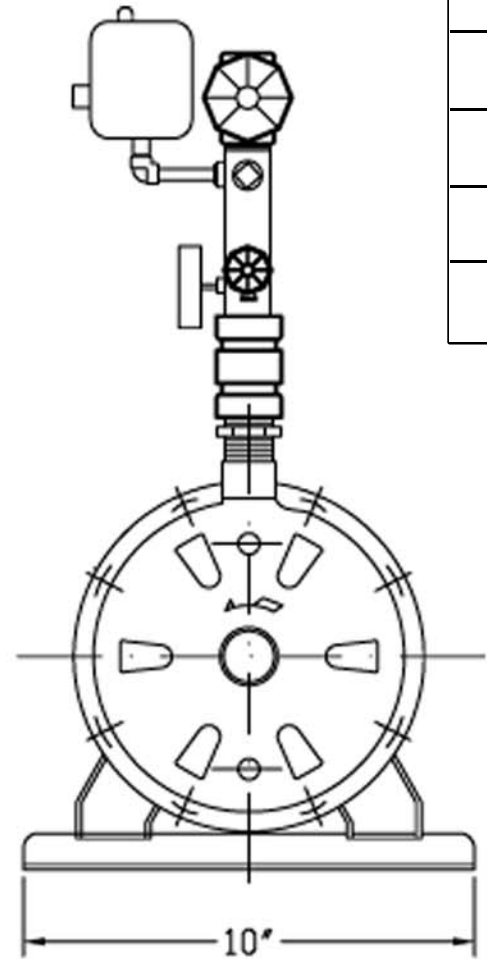


Service Factor Amps
Required at 230v

hp	SFA
.75	8.6
1	8.6
1.5	11.1
2	13.5
3	15.9



SIDE VIEW



FRONT VIEW

